

2404 Standard , , 2-

:

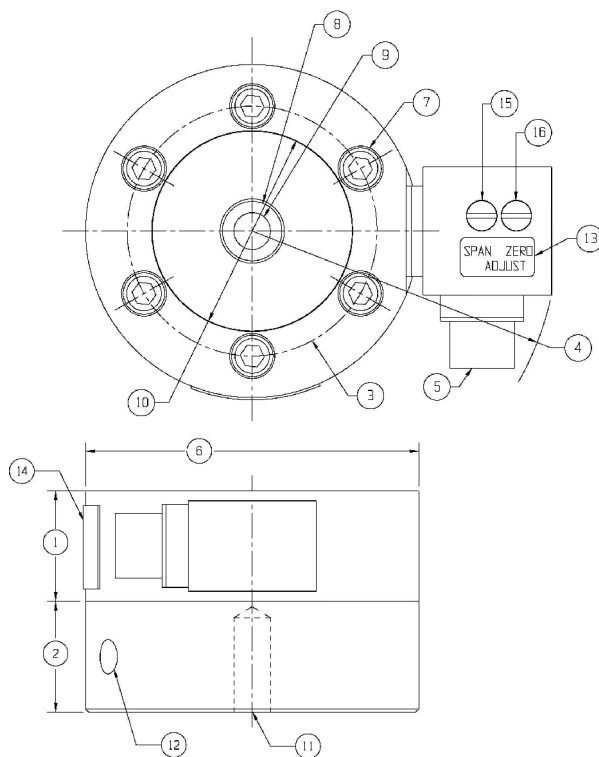
• : 445N 22250N

-
-
-
-
-
-
-



4-20

Interface



DIMENSIONS

	2424	2434
	,	
	0.5;1;2;4.5	9; 22
1	25.4	25.4
2	25.4	25.4
3	57.2	66.68
4	70.1	76.3
5	PTWIH-10-6P	
6	76.2	88.9
7	1/4-28	5/16-24
8	14	20.5
9	3/8-24 UNF-3B	1/2-20 UNF-3B
10	46	52.5
11	3/8-24 UNF 17.8	1/2-20 UNF 17.8
12	180°	180°
13		
14		
15		
16		

SPECIFICATIONS

	2424	2434
	()	
	450, 1100, 2200, 4500	8900, 22000
-()		
-%FS	±0.1	±0.1
-%FS	±0.08	±0.08
-%RO	±0.03	±0.03
, 20 min-%	±0.05	±0.05
-°C	-10 45	-10 45
-°C	-30 93	-30 93
-%RO°C - MAX	±0.005	±0.005
-%°C - MAX	±0.009	±0.009
* ()	+16.000 ±0.032	
* ()	+8.000 ±0.016	
* ()	+8.000 ±0.016	
	4.000 ±0.100 ()	12.000 ±0.100 ()
	1	
	5%	
-VDC	9-28	
	2000	
-%	±150	
@ RO-	220 450: 0,08 ; 1100 -- 22000: 0,05	
-P/N	B319-2	
-	1.3, 2.2, 4.4, 6.0, 8.3, 9.1, 11.7	
	PTWIH-10-6P	

** 1,5 2,5

FS –
RO –

OPTIONS* Page 115

STANDARD CONFIGURATIONS

PTWIH-10-6P Connector (24xxBLX-nn)

-10 45°
(TEDS)

ACCESSORIES*

A	+
B	
C	
D	+ (4-20)
F	
E	