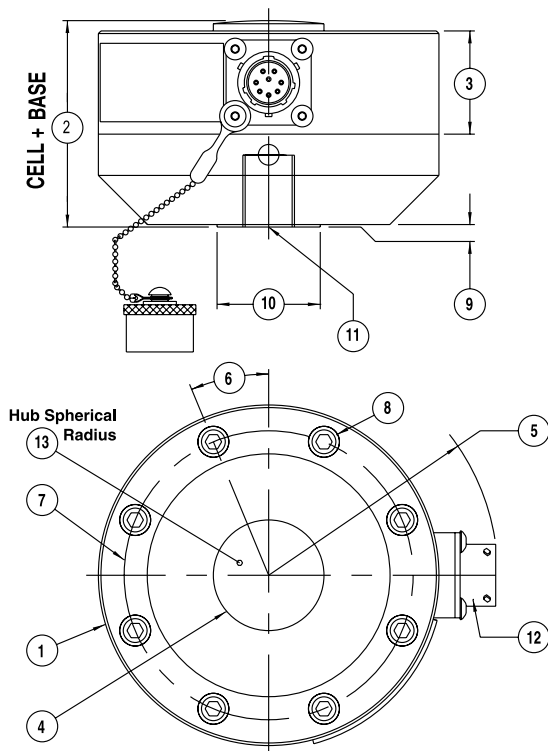


Model 1600 Gold Standard™ Calibration Compression-Only Load Cell

Why the Interface model 1600 Gold Standard™ Calibration Compression-Only Load Cell is the best in class:

- .005% nonrepeatability
- .01% creep
- High output – to 4 mV/V
- High precision base installed
- 3 run NIST traceable ASTM E74 calibration
- Eccentric load compensated
- .0008%/°F temp. effect on output
- 4% lower load limit



DIMENSIONS

See Drawing	MODEL					
	1611		1621		1633	
	CAPACITY					
	U.S. (lbf)	Metric (kN)	U.S. (lbf)	Metric (kN)	U.S. (lbf)	Metric (kN)
	1K, 2K, 5K, 10K	4.5, 9, 22, 45	25K, 50K	110, 225	100K	450
	inch	mm	inch	mm	inch	mm
①	4.13	104.8	6.06	153.9	8.00	203.2
②	2.50	63.5	3.50	89.0	4.50	114.3
③	1.25	31.7	1.63	41.4	2.25	57.2
④	1.34	34.0	2.41	61.2	3.76	95.5
⑤	2.78	70.0	3.50	89.0	4.47	113.0
⑥	22.5°	22.5°	15.0°	15.0°	11.25°	11.25°
⑦	3.50	88.9	5.13	130.3	6.50	165.1
⑧	8 SHCS		12 SHCS		16 HHCS	
⑨	0.03	0.80	0.03	0.80	0.03	0.80
⑩	1.25	31.8	2.25	57.2	3.00	76.2
⑪	5/8-18 UNF-3B 0.87 in deep		1 1/4-12 UNF-3B 1.40 in deep		1 3/4-12 UNF-3B 1.75 in deep	
⑫	PT02E-12-8P		PT02E-12-8P		PT02E-12-8P	
⑬	6.00	152.0	8.00	203.0	12.0	305.0

SPECIFICATIONS

PARAMETERS	MODEL				
	1611	1611	1611	1621	1633
	CAPACITY (lbf)				
	1K	2K	5K, 10K	25K, 50K	100K
ACCURACY – (MAX ERROR)					
Static Error Band-% FS	±0.02	±0.02	±0.025	±0.03	±0.04
Nonlinearity-% FS	±0.03	±0.03	±0.04	±0.04	±0.04
Hysteresis-% FS	±0.02	±0.02	±0.04	±0.04	±0.05
Nonrepeatability-% RO	±0.005	±0.005	±0.005	±0.005	±0.005
Creep, 20 min-%±0.01	±0.01	±0.01	±0.01	±0.01	
Side Load Sensitivity-%	±0.1	±0.1	±0.1	±0.1	±0.1
Eccentric Load Sensitivity-%/in	±0.1	±0.1	±0.1	±0.1	±0.1
Lower Load Limit-% Cap. (ASTM E74 CLASS A)	4.0	4.0	4.0	4.0	4.0
TEMPERATURE					
Compensated Range-°F	15 to 115	15 to 115	15 to 115	15 to 115	15 to 115
Compensated Range-°C	-10 to 45	-10 to 45	-10 to 45	-10 to 45	-10 to 45
Operating Range-°F	-65 to 200	-65 to 200	-65 to 200	-65 to 200	-65 to 200
Operating Range-°C	-55 to 90	-55 to 90	-55 to 90	-55 to 90	-55 to 90
Effect on Zero-%RO/°F – MAX	±0.0004	±0.0004	±0.0004	±0.0004	±0.0004
Effect on Output-%/°F – MAX	±0.0008	±0.0008	±0.0008	±0.0008	±0.0008
ELECTRICAL					
Rated Output-mV/V (Nominal)	2.0	2.0	4.0	4.0	4.0
Excitation Voltage-VDC – MAX	20	20	20	20	20
Bridge Resistance-Ohm (Nominal)	350	350	350	350	350
Zero Balance-% RO	±1.0	±1.0	±1.0	±1.0	±1.0
Insulation Resistance-Megohm	5000	5000	5000	5000	5000
MECHANICAL					
Safe Overload-% CAP	±150	±150	±150	±150	±150
Deflection @ RO-inch	0.002	0.002	0.004	0.004	0.006
Weight-lb	3.3	3.3	7.5	21.5	52
Connector	PT02E-12-8P	PT02E-12-8P	PT02E-12-8P	PT02E-12-8P	PT02E-12-8P
Calibration	Compression	Compression	Compression	Compression	Compression

OPTIONS

Compression Overload Protection
 Multiple Bridge
 Standardized Output
 ASTM E74 Calibration
 Connector Protection
 Low Profile Options

STANDARD CONFIGURATIONS

PT02E-12-8P Connector (16xxAJH-nn)

ACCESSORIES

Precision mV/V Transfer Standard
 Instrument Cable Assemblies
 Signal Conditioning Boards
 Calibration Software

Consult factory for more technical information