

1200 Standard, 3-

,

:

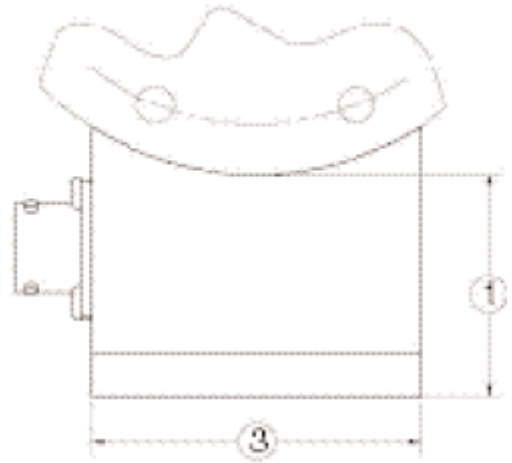
-
-
-
-
-
-
-

Interface



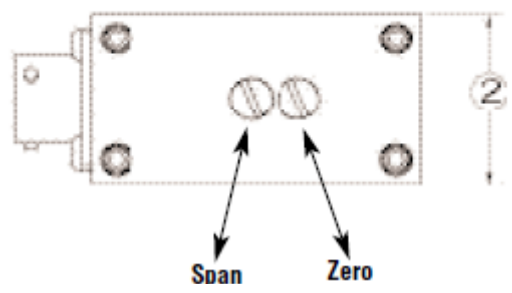
4-20

±5 , ±10 , 0-5 , 0-10



DIMENSIONS

①	37,6
②	28,7
③	55,4



SPECIFICATIONS

	1210		1220		1232		
	1211**	1211	1221	1221	1231	1231	
	1.5, 2.5, 5, 10		25, 50		100, 250		450
()	±0.06	±0.07	±0.07	±0.07	±0.07	±0.07	
-%FS	±0.06	±0.07	±0.07	±0.07	±0.07	±0.07	
-%FS	±0.03	±0.05	±0.06	±0.06	±0.06	±0.06	
-%RO	±0.02	±0.02	±0.02	±0.02	±0.02	±0.02	
, 20 min-%	±0.025	±0.025	±0.025	±0.025	±0.025	±0.025	
-%	±0.25	±0.25	±0.25	±0.25	±0.25	±0.25	
-%/in	±0.25	±0.25	±0.25	±0.25	±0.25	±0.25	
°C	-10 to 45	-10 to 45	-10 to 45	-10 to 45	-10 to 45	-10 to 45	
°C	-29 to 85	-29 to 85	-29 to 85	-29 to 85	-29 to 85	-29 to 85	
-%RO°C - MAX	±0.009	±0.005	±0.005	±0.005	±0.005	±0.005	
-%°C - MAX	±0.009	±0.009	±0.009	±0.009	±0.009	±0.009	
	4-20 mA, ±5V, ±10V, 0-5V, 0-10V						
-VDC - MAX	11 28	11 28	11 28	11 28	11 28	11 28	
-%RO	±10	±10	±10	±10	±10	±10	
-%RO	7	3.5	3.5	3.5	3.5	3.5	
-	5000	5000	5000	5000	5000	5000	
-%	±150	±150	±150	±150	±150	±150	
@ RO-	0.03	0.05	0.05	0.05	0.08	0.08	
() -P/N	B101 (M)	B102 (M)	B103 (M)	B103 (M)	B112 (M)	B112 (M)	
,	200	200	200	200	200	200	
,	0.7	1.5	4.3	4.3	11.8	11.8	
	PT02E-10-6P	PT02E-10-6P	PT02E-10-6P	PT02E-10-6P	PT02E-10-6P	PT02E-10-6P	

** 1,5 2,5

FS –
RO –

OPTIONS* Page 115

()

STANDARD CONFIGURATIONS

PT02E-10-6P Bayonet
(-B)

ACCESSORIES*

Loading Hardware

A	+
B	
C	
D	
F	
E	